

# GPS Antenna

## Marine Antenna 06



## Specifications Sheet

**Features :**

- High Gain gps antenna 38~45db
- Dimension: 90.8mm(Dia.) \* 109mm(H)

Marine Antenna 06 is designed for the Marine Vessels mast or tall buildings that require long extra cables without signal constraint to the GPS receivers. Marine Antenna 06 is not only hidden in a durable and waterproof cover, but also cable is protected by a base which can prevent damage. The special design for Marine Antenna 06 is really delicate, compact and reliable. Besides that have concinnity and compacted design for base. It is the integration of the high performance GPS patch antenna and a low noise amplifier into an extremely fully waterproof enclosure and when connected to a GPS receiver with 3.0~5VDC antenna power, it can provide excellent antenna signal amplification and out-band filtering with rejection for that receiver at 3V~5 DC input Voltage.

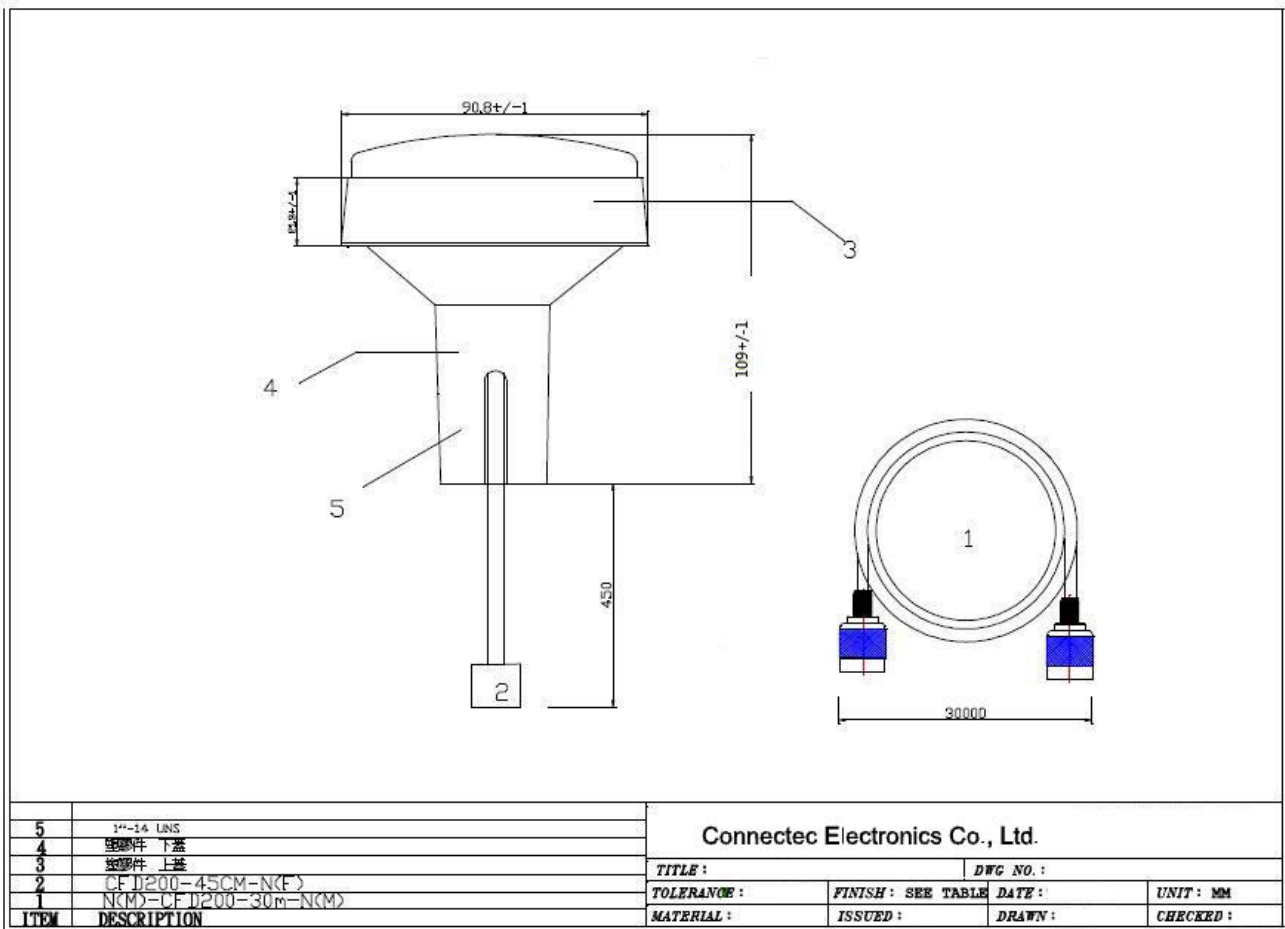
### Specification:

Antenna Element	
Center Frequency	1575.42 MHz +/-1.023 MHz
Polarization	R.H.C.P. (Right Handed Circular Polarization)
Absolute Gain @ Zenith	+5 dBi typical Based on 70×70mm ground plane
Gain @ 10° Elevation	-1 dBi typical
Axial Ratio	3 dB max.
Output VSWR	1.5:1 Typ.
Output Impedance	50 ohm
Low Noise Amplifier	
Center Frequency	1575.42 MHz +/- 1.023 MHz
Power Gain	38db(3V) / 45db(5V) (Without cable +25°C ±10°C)
Bandwidth	10 MHz min.
Noise Figure	1.6 Typ.
Outer Band Attenuation	20 dB min. @ Fo +/-50 MHz
Supply Voltages	3.0~5.0V DC
Current Consumption	21mA@ 3.0V DC,25mA@ 5.0V DC
VSWR	1.5 max.
Output Impedance	50 ohm
Overall Performance: (antenna element, LNA & coax cable)	
Center Frequency	1575.42 MHz
Gain	38db(3V) / 45db(5V) (Without cable +25°C ±10°C)
Noise Figure	2.0 max.
Bandwidth	10 MHz min.

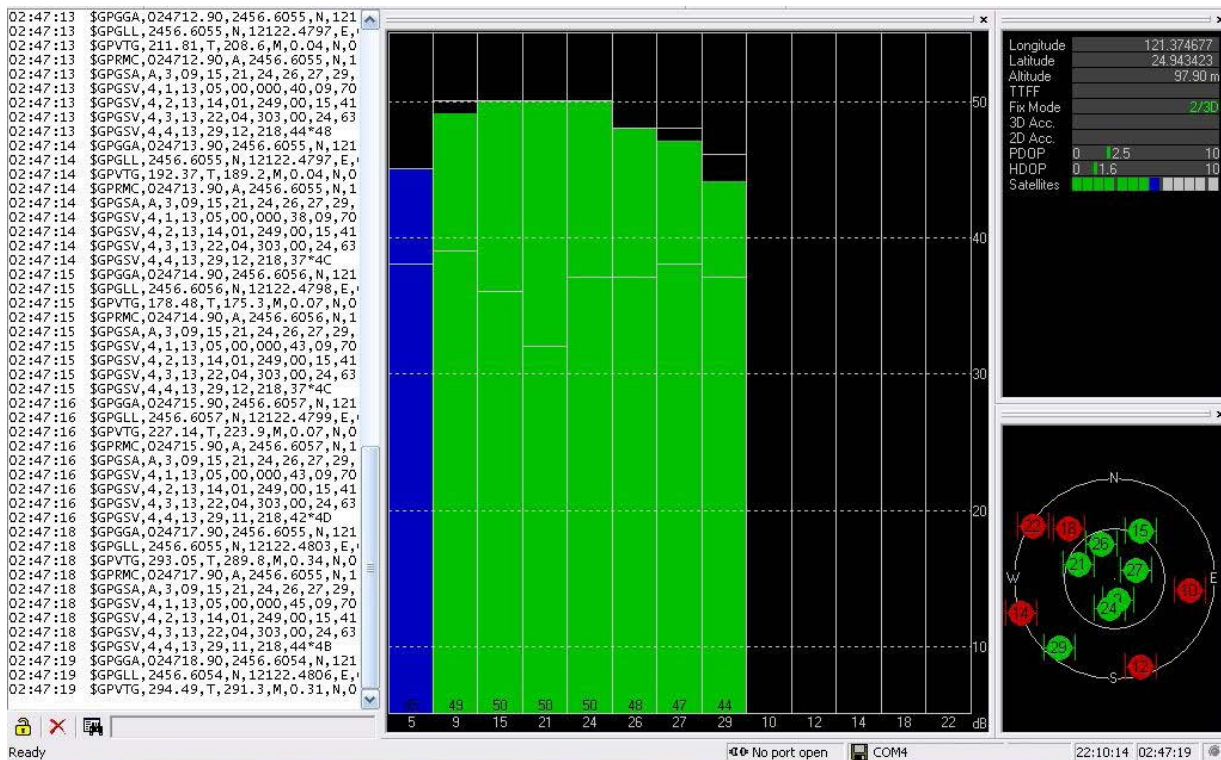
<b>Environmental Conditions</b>	
Operating Temperature	-30°C to +80°C
Storage Temperature	-40°C to +100°C
Relative Humidity	40% to 95% non-condensing
Water Resistance	100% waterproof
<b>Physical Constructions</b>	
Dimensions	Antenna : 90.8mm (Dia.) x 109mm (H)
Weight	150 grams (without cable)
Standard Mounting	Concinnity and Solid design
<b>Cable &amp; Connector</b>	
RF	45CM-N(F)
Cable Pulling strength	12Kg for 5sec.
Connector available	N(F) (standard), SMA(F) / TNC(F) other types (optional)

\* This specification is subject to change without prior notice

User selectable datum \*Pole mount to 1"-14 UNS threaded mast



## Marine Antenna 06 (38db/3V) -30M CFD200 Cable TEST



## Marine Antenna 06 (38db/3V)-80M CFD200 Cable TEST

